

# iDP-3550/3551

# CITIZEN®

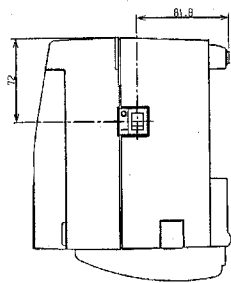
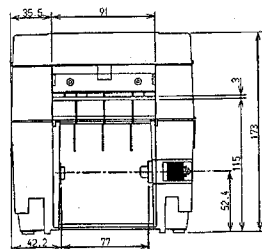
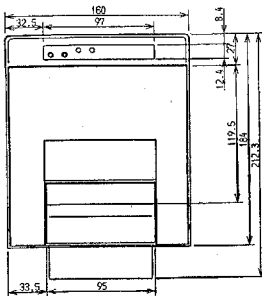
## FEATURES

Small size, light weight, and low price  
 High-speed print (Bi-directional)  
 Red and black print  
 Auto load  
 Paper end sensor  
 Built in auto cutter (ACS-134) (iDP-3551)  
 Built in power supply

## OPTIONS

Special purpose winder AW-3-E (Option)  
 that will be placed Separately.

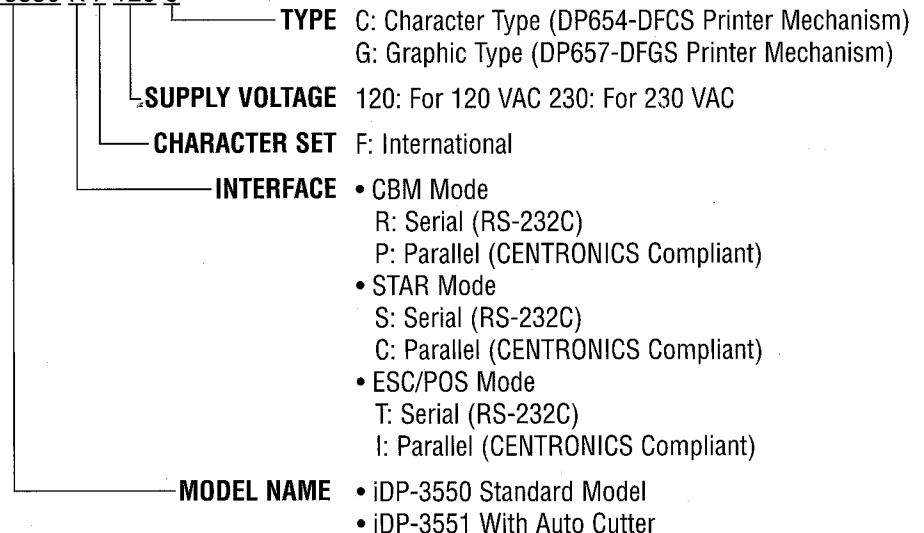
OUTLINE DRAWING OF IDP 3550



Item/Model	iDP-3550RF/PF	iDP-3551RF/PF
Print method	Serial dot impact method (Bidirectional print), 2-pass graphic (Unidirectional print)	
Print width	Character type: 63.6 mm/Graphic type: 58.7mm	
Print head	9 pins	
Print speed	Character type: Approx. 3.6 lines/second/Graphic type: Approx. 3 lines/second	
Print columns	40 Columns	
Character size	Character type: 1.36 mm(W) X2.4 mm(H) (7 dots) 1.36 mm(W) X3.1 mm(H) (9 dots) Graphic type: 1.20 mm(W) X2.4 mm(H) (7 dots) 1.20 mm(W) X3.1 mm(H) (9 dots)	
Line spacing	Character type: 4.23 mm (1/6 inch) Graphic type: 2.82mm (1/9 inch)	
Paper	Ordinary paper and non-carbon paper: 76+/-0.5 mm(W) x ø83 mm(OD)	
Ink ribbon	Special purpose ribbon cartridge: Red/Black or Single Color (Black or Purple)	
Interface	Serial(RS-232C), Parallel(CENTRONICS compliant)	
Command system	CBM mode, STAR mode, ESC/POS mode The user can select the mode with the DIP switch and preset jumpers.	
Input buffer	6KB or 256 bytes (Selectable with the DIP switch)	
Drawer function	2-drawer, 1-drawer switch	
Auto loading function	Automatically feeds the paper by several lines when it is inserted.	
Paper end detection	Stops printing when the paper has run out.	
Paper near end detection	Stops printing when the paper is running out. (Settable with a command)	
Auto cutter	None	AC-134-E (Capable of partial and full cut)
Weight	Approx. 2.8 kg Approx. 3 kg	
Outer dimensions	160(W)x212(D)X194(H)mm 160(W)x212(D)X173(H)mm	
Operating temperature and Humidity	0 to 40°C, 35 to 85 %RH (No dew condensation)	
Storage temperature and Humidity	-20 to 60°C, 10 to 90 %RH (No dew condensation)	

## MODEL CLASSIFICATIONS

iDP-3550 R F 120 C



# CITIZEN

RELIABILITY•VALUE•SUPPORT

**CBM America Corporation**  
 365 Van Ness Way, Suite 510  
 Torrance, CA 90501  
 310 781-1460  
 310 781-9152 Fax  
 800 421-6516  
[www.cbma.com](http://www.cbma.com)

All trademarks and copyrights acknowledged.  
 All features and specifications are subject to  
 change without notice.  
 ©1999 CBM America Corporation. Printed U.S.A.

# CITIZEN®

**iDP-3550/3551**

